

Li L7 | Configuration

● Standard - N/A

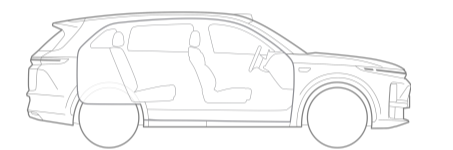
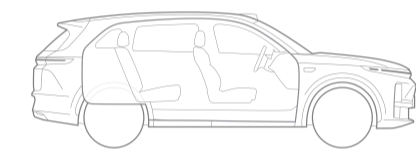
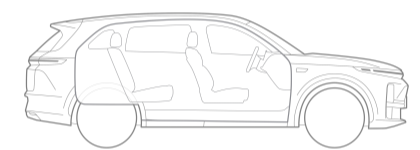
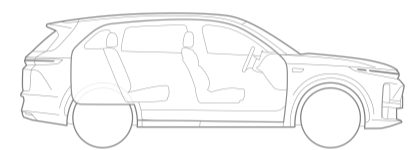
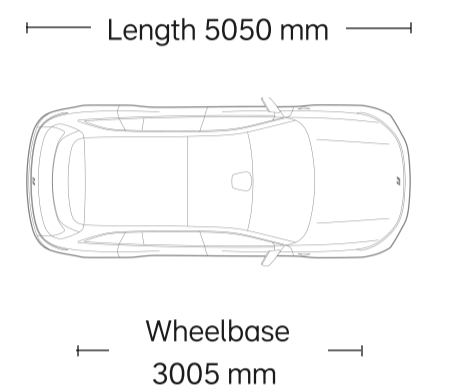
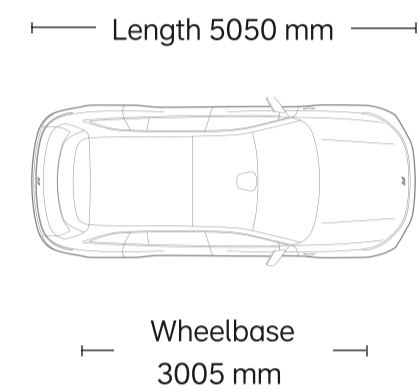
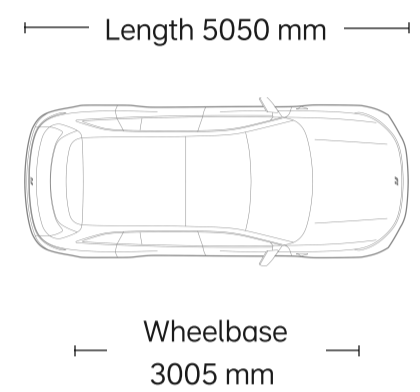
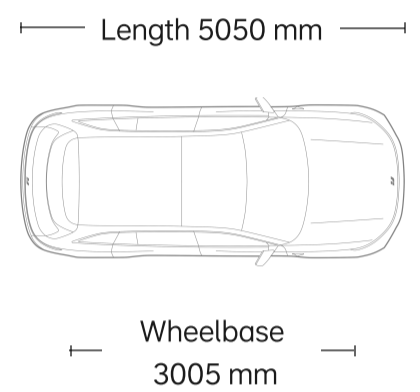
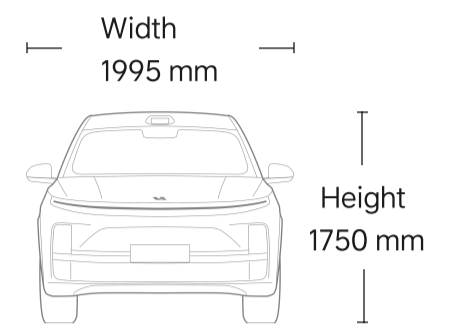
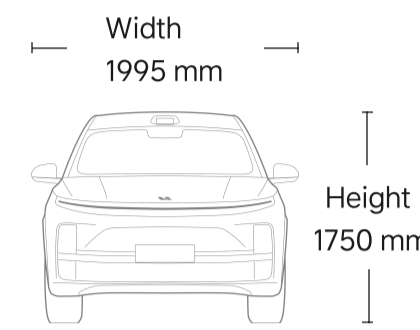
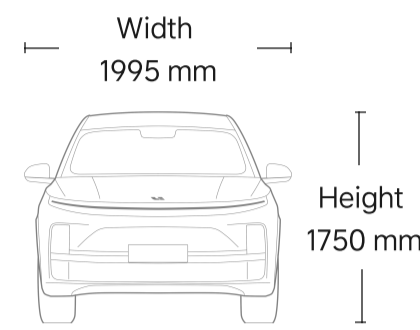
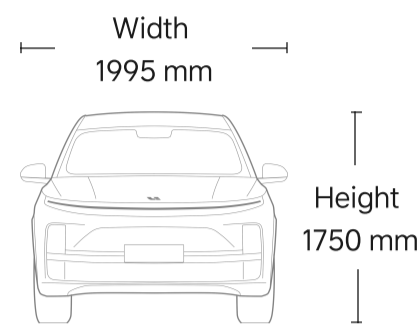
2023
Li L7 Air

2024
Li L7 Pro

2024
Li L7 Max

2024
Li L7 Ultra

Technical Specification



Second Row:
Headroom 992 mm,
Maximum Legroom
1160 mm.

Second Row:
Headroom 992 mm,
Maximum Legroom
1160 mm.

Second Row:
Headroom 992 mm,
Maximum Legroom
1160 mm.

Second Row:
Headroom 992 mm,
Maximum Legroom
1160 mm.

Length	5050mm	5050mm	5050mm	5050mm
Width	1995mm	1995mm	1995mm	1995mm
Height	1750mm	1750mm	1750mm	1750mm
Wheelbase	3005mm	3005mm	3005mm	3005mm
Passenger capacity	5	5	5	5
Seat layout	2-3	2-3	2-3	2-3
CLTC range under comprehensive working conditions	1323km	1360km	1360km	1421km

Li L7 | Configuration

● Standard - N/A

2023
Li L7 Air

2024
Li L7 Pro

2024
Li L7 Max

2024
Li L7 Ultra

Exterior Color and Interior Upholstery

Paint color

● White Pearl	●	●	●	●
● Silver Metallic	●	●	●	●
● Gray Metallic	●	●	●	●
● Black Metallic	●	●	●	●
● Tech Blue - Special Edition Gloss	+RMB 10,000	-	-	-
● Dawn Red - Special Edition Multi-Coat	+RMB 10,000	-	-	-
● Deep Green - Special Edition Pearl	+RMB 10,000	+RMB 10,000	+RMB 10,000	+RMB 10,000
● Baby Blue - Special Edition Pearl	-	+RMB 10,000	+RMB 10,000	+RMB 10,000

Wheels

20" Silver Wheels (With 255/50 R20 Silent Tires)	●	-	-	-
20" Black Wheels (With 255/50 R20 Silent Tires)	●	-	-	-
20" Silver-Grey Wheels (With 255/50 R20 Silent Tires)	-	●	●	-
20" Black-Grey Wheels (With 255/50 R20 Silent Tires)	-	●	●	-
21" Silver-Grey Wheels (With 265/45 R21 Silent Tires)	+RMB 10,000	+RMB 10,000	+RMB 10,000	●
21" Black-Grey Wheels (With 265/45 R21 Silent Tires)	+RMB 10,000	+RMB 10,000	+RMB 10,000	●

Interior Upholstery color

Li L7 | Configuration

● Standard - N/A	2023 Li L7 Air	2024 Li L7 Pro	2024 Li L7 Max	2024 Li L7 Ultra
● Black & White	●	●	●	●
● Black & Orange	●	●	●	●
● Dynamic Black interior upholstery	●	●	●	●

Extended Platform

Range Extended EV

Traction battery	42.8kWh Ternary lithium battery	42.8kWh Ternary lithium battery	42.8kWh Ternary lithium battery	52.3kWh Ternary lithium battery
Range Extender	1.5T Four-Cylinder	1.5T Four-Cylinder	1.5T Four-Cylinder	1.5T Four-Cylinder
CLTC range under comprehensive working conditions	1323km	1360km	1360km	1421km
WLTC range under comprehensive working conditions	1108km	1135km	1135km	1185km
CLTC battery life under comprehensive working conditions	218km	225km	225km	286km
WLTC battery life under comprehensive working conditions	183km	190km	190km	240km
DC charging time (Typical charging duration)	30 minutes (20%–80%)	30 minutes (20%–80%)	30 minutes (20%–80%)	25 minutes (20%–80%)
AC slow-charging time (7kW)	6.5 hours (0-100%)	6.5 hours (0-100%)	6.5 hours (0-100%)	7.9 hours (0-100%)
External discharge	3.5kW	3.5kW	3.5kW	3.5kW
Fuel tank capacity	65L	65L	65L	65L
Fuel type	95	95	95	95
Environmental standard	China VIB	China VIB	China VIB	China VIB
Energy Modes	Electric / Fuel / Hybrid	Electric / Fuel / Hybrid	Electric / Fuel / Hybrid	Electric / Fuel / Hybrid

Li L7 | Configuration

● Standard - N/A

2023
Li L7 Air

2024
Li L7 Pro

2024
Li L7 Max

2024
Li L7 Ultra

Power

Drive system	Front and Rear Motor 4WD	Front and Rear Motor 4WD	Front and Rear Motor 4WD	Front and Rear Motor 4WD
Total power of power system	330kW	330kW	330kW	330kW
Total torque of power system	620N·m	620N·m	620N·m	620N·m
0-100km/h acceleration time	5.3s	5.3s	5.3s	5.3s
Maximum speed	180km/h (electronic speed control)	180km/h (electronic speed control)	180km/h (electronic speed control)	180km/h (electronic speed control)
5-in-1 front drive system	Power: 130kW Torque: 220N·m	Power: 130kW Torque: 220N·m	Power: 130kW Torque: 220N·m	Power: 130kW Torque: 220N·m
3-in-1 rear drive system	Power: 200kW Torque: 400N·m	Power: 200kW Torque: 400N·m	Power: 200kW Torque: 400N·m	Power: 200kW Torque: 400N·m
Power Mode	Comfort, Standard, Sport, Performance	Comfort, Standard, Sport, Performance	Comfort, Standard, Sport, Performance	Comfort, Standard, Sport, Performance

Chassis

Front suspension type	Double wishbone front suspension	Double wishbone front suspension	Double wishbone front suspension	Double wishbone front suspension
Rear suspension type	Five-link rear suspension	Five-link rear suspension	Five-link rear suspension	Five-link rear suspension
Magic Carpet Air Suspension	CDC motion suspension	Magic Carpet Air Suspension Pro	Magic Carpet Air Suspension Pro	Magic Carpet Air Suspension Pro
Single-chamber air springs	-	●	●	●
Continuous damping control	●	●	●	●
automatic speed-dependent adjustment of vehicle height	-	Lower by 20 mm	Lower by 20 mm	Lower by 20 mm
Effortless Entry and Exit	-	Lower by 40 mm	Lower by 40 mm	Lower by 40 mm
Convenient trunk loading mode	-	Lower by 50 mm	Lower by 50 mm	Lower by 50 mm

Li L7 | Configuration

● Standard - N/A

2023
Li L7 Air

2024
Li L7 Pro

2024
Li L7 Max

2024
Li L7 Ultra

Tough road modes	Conquer Off-road Obstacles , slippery road mode, and hill descent control	Conquer Off-road Obstacles (suspension is automatically raised by 40mm), slippery road mode, and hill descent control	Conquer Off-road Obstacles (suspension is automatically raised by 40mm), slippery road mode, and hill descent control	Conquer Off-road Obstacles (suspension is automatically raised by 40mm), slippery road mode, and hill descent control
Variable speed EPS	●	●	●	●
Regenerative braking system	Comfort, Standard, Strong	Comfort, Standard, Strong	Comfort, Standard, Strong	Comfort, Standard, Strong
Ventilated front & rear disc brakes	●	●	●	●
Electronic braking assistance	●	●	●	●

Comfort and Luxury Features

Seats

First row seats

Nappa leather seats	●	●	●	●
Comfortable sponge	●	●	●	●
Comfortable soft headrests	×2	×2	×2	×2
Ventilated seats	●	●	●	●
Heated seats	●	●	●	●
Electric seats	●	●	●	●
Spa-grade 10-point massage (10 points at back)	-	●	●	●
Lumbar massage	●	-	-	-
Seat memory	●	●	●	●
Boss button for the front passenger seat	●	●	●	●

Li L7 | Configuration

● Standard - N/A

2023
Li L7 Air

2024
Li L7 Pro

2024
Li L7 Max

2024
Li L7 Ultra

Second row seats

Nappa leather seats	●	●	●	●
Comfortable sponge	●	●	●	●
Comfortable soft headrests	x2	x3	x3	x3
Ventilated seats	●	●	●	●
Heated seats	●	●	●	●
Electric seats	●	●	●	●
Spa-grade 10-point massage (10 points at back)	-	●	●	●
Lumbar massage	●	-	-	-
Right-side queen seat	Electric foot rest	Electric foot rest	Electric foot rest	Electric foot rest
Queen Seat Mode	●	●	●	●

Comfort Cockpit Features

Advanced Audio System	●	●	-	-
Platinum Audio System	-	-	●	●
Smart warmer/refrigerator (with electric control)	-	-	●	●
Tri-zone smart climate control with air purification (with CO2 sensor)	-	●	●	●
Tri-zone smart climate control with air purification (without CO2 sensor)	●	-	-	-
Rear independent air vents	Second rows	Second rows	Second rows	Second rows
PM2.5 monitoring	●	●	●	●
Air quality system (AQS)	●	●	●	●

Li L7 | Configuration

● Standard - N/A	2023 Li L7 Air	2024 Li L7 Pro	2024 Li L7 Max	2024 Li L7 Ultra
Negative ion generator	●	●	●	●
Steering wheel heating	●	●	●	●
Steering wheel 4-way manual control	●	●	●	●
LED interior ambient lights (256 colors)	●	●	●	●
LED touch reading lights for the first, second, and third rows	●	●	●	●
LED floor lights	The first and second rows	The first and second rows	The first and second rows	The first and second rows
Sun visor vanity mirror	With LED lighting	With LED lighting	With LED lighting	With LED lighting
Two-pane panoramic sunroof electric sunshade	●	●	●	●
One-touch button to lift and lower all windows (with anti-pinch)	●	●	●	●
Nap Mode	●	●	●	●
Bed Mode	●	●	●	●
Cabin material				
Premium black fabric lining	-	-	●	●
Nappa leather multi-function steering wheel	●	●	●	●
Double-layer, silver-plated heat insulating windshield	●	●	●	●
Double-layer, sound insulating glass in the first row	●	●	●	●
Double-layer, sound insulating and tinted glass in the second row	●	●	●	●
Two-pane panoramic sunroof (Double-layered noise and heat insulating glass)	●	●	●	●

Li L7 | Configuration

● Standard - N/A	2023 Li L7 Air	2024 Li L7 Pro	2024 Li L7 Max	2024 Li L7 Ultra
Anti-UV glass for the whole vehicle	●	●	●	●
Tufted mats for the whole vehicle	●	●	●	●
Interior Charging				
Front-row wireless mobile phone charging (50W air cooling)	-	×2	×2	×2
Front-row wireless mobile phone charging (15W)	×2	-	-	-
Front-row USB Type-C (15W)	×2	×2	×2	×2
Second-row USB Type-C (60W)	×2	×2	×2	×2
Interior 220V socket	1.1kW	2.2kW	2.2kW	2.2kW
Interior 12V Socket	Front row ×1, Trunk ×1	Front row ×1, Trunk ×1	Front row ×1, Trunk ×1	Front row ×1, Trunk ×1
Storage Space				
Front-row independent cup holder	×2	×2	×2	×2
Second-row independent cup holder	×2	×2	×2	×2
Front-row lower storage space	-	●	●	●
Split armrest box	●	●	●	●
Super-large door storage space	●	●	●	●
Hidden trunk storage space	●	●	●	●
Convenient Driving and Riding				
Keyless entry	Four doors	Four doors	Four doors	Four doors
Keyless start	●	●	●	●
Mobile phone Bluetooth key	●	●	●	●
Remote vehicle control with App	●	●	●	●

Li L7 | Configuration

● Standard - N/A	2023 Li L7 Air	2024 Li L7 Pro	2024 Li L7 Max	2024 Li L7 Ultra
Smart vehicle finder	With automatic parking lot photographing	With automatic parking lot photographing	With automatic parking lot photographing	With automatic parking lot photographing
Smart key	×2	×2	×2	×2
Mechanical key	×1	×1	×1	×1
Power column shift	●	●	●	●
Flush door handles for the whole vehicle	●	●	●	●
Electric suction doors for the whole vehicle	●	●	●	●
Electric tailgate sensor	●	●	●	●
Electric tailgate position memory	Steplessly adjustable	Steplessly adjustable	Steplessly adjustable	Steplessly adjustable
Electric heating for side mirrors	●	●	●	●
Integrated side mirror blind spot detection	●	●	●	●
Electric adjustment of side mirrors (with side mirror memory)	●	●	●	●
Automatic side mirror adjustment for reversing	●	●	●	●
Automatic anti-glare rearview mirror	●	●	●	●
Automatic anti-glare driver side mirror	●	●	●	●
360° HD panoramic camera	●	●	●	●
Transparent chassis	●	●	●	●
HD reversing camera	●	●	●	●
On-board electric pump	●	●	●	●
On-board tool kit	●	●	●	●

Li L7 | Configuration

● Standard - N/A

2023
Li L7 Air

2024
Li L7 Pro

2024
Li L7 Max

2024
Li L7 Ultra

Smart Driving

Li Pilot Assistance
AD Pro

Li Pilot Assistance
AD Pro

Li Pilot Assistance
AD Max

Li Pilot Assistance
AD Max

Li AD Max Smart Driving Hardware Platform

Domain controller	Horizon Robotics Journey™ 5 x1 (128TOPS)	Horizon Robotics Journey™ 5 x1 (128TOPS)	NVIDIA Orin-X x2 (508TOPS)	NVIDIA Orin-X x2 (508TOPS)
128-line LiDAR	-	-	●	●
Front perception camera	8 MP x1	8 MP x1	8 MP x2	8 MP x2
Side front perception camera	2 MP x2	2 MP x2	8 MP x2	8 MP x2
Side rear perception camera	2 MP x2	2 MP x2	8 MP x2	8 MP x2
Rear perception camera	2 MP x1	2 MP x1	2 MP x1	2 MP x1
Surround view camera	2 MP x4	3 MP x4	3 MP x4	3 MP x4
Forward millimeter wave radar	●	●	●	●
Ultrasonic radar	x12	x12	x12	x12
Capacitive hand detection steering wheel	●	●	●	●
Steering wheel with vibration alert	●	●	●	●
Attention Warning System	●	●	●	●

All-Scenario NOA

Highways as well as urban beltways and roads across China

Passing urban intersections (going straight/unprotected left and right turns)	-	-	●	●
Detour on urban roads (construction/obstacle vehicles)	-	-	●	●

Li L7 | Configuration

● Standard - N/A	2023 Li L7 Air	2024 Li L7 Pro	2024 Li L7 Max	2024 Li L7 Ultra
Lane change in traffic jams (highways/urban roads)	Only Highways	Only Highways	●	●
Lane change and overtaking (autonomous/recommended)	●	●	●	●
Ramp entry and exit (highways/urban roads)	Only Highways	Only Highways	●	●
Speed limit control (highways/urban roads)	Only Highways	Only Highways	●	●
All-Scenario LCC Highways as well as urban beltways and roads across China				
Passing intersections in response to traffic lights (going straight)*	●	●	●	●
Detour on urban roads*	●	●	●	●
Roadwork deceleration & avoidance*	●	●	●	●
Autonomous lane selection at merge/diverge junctions*	●	●	●	●
Autonomous inference and lane line generation*	●	●	●	●
Lane Keep Assist (LKA)	●	●	●	●
Lane change in response to turn signals	●	●	●	●
*2023 Li L7 Air will be released via OTA in the future				
Intelligent parking				
360° panoramic camera	●	●	●	●
Auto Park Assist (APA)	Space parking (basic version)/ Straight-line remote control	Space parking (basic version)/ Straight-line remote control	Space parking (basic version)/ Straight-line remote control	Space parking (basic version)/ Straight-line remote control
Remote Parking (RPA)	●	●	●	●

Li L7 | Configuration

● Standard - N/A

2023
Li L7 Air

2024
Li L7 Pro

2024
Li L7 Max

2024
Li L7 Ultra

Remote Parking Out (RPO)*

●

●

●

●

Automatic Valet Parking (AVP)

-

-

Silent route learning/Cross-floor channel driving/Reversing adjustment/Avoidance & detour

Silent route learning/Cross-floor channel driving/Reversing adjustment/Avoidance & detour

Functions marked with * will be released via OTA in the future

Active Safety

Autonomous Emergency brake

●

●

●

●

General Obstacles-Autonomous Emergency brake*

-

-

●

●

Rear-Autonomous Emergency brake*

-

-

●

●

Maneuver-Autonomous Emergency brake*

-

-

●

●

Autonomous Emergency Steering*

-

-

●

●

Front Crossing Traffic Assist /Brake*

-

-

Warning/Brake

Warning/Brake

Rear Crossing Traffic Assist /Brake*

-

-

Warning/Brake

Warning/Brake

Emergency Lane Keeping

●

●

●

●

MissAcceleration Inhibit*

-

-

●

●

Lane Departure Prevention

●

●

●

●

Lane Departure Warning

●

●

●

●

Front Collision Warning

●

●

●

●

Rear Collision Warning*

-

-

●

●

Door Opening Warning

●

●

●

●

Traffic Sign Recognition

●

●

●

●

Li L7 | Configuration

● Standard - N/A

2023
Li L7 Air

2024
Li L7 Pro

2024
Li L7 Max

2024
Li L7 Ultra

Traffic Light Recognition*

-

-

●

●

Traffic Speed Assist*

-

-

●

●

Functions marked with * will be released via OTA in the future

Smart Space

Li Smart Space SS
Pro

Li Smart Space SS
Pro

Li Smart Space SS
Pro

Li Smart Space SS
Max

Li AD Max Smart Driving Hardware Platform

HMI Chips

Qualcomm Snapdragon 8155

Qualcomm Snapdragon 8295P

Qualcomm Snapdragon 8295P

Qualcomm Snapdragon 8295P High Performance Edition

RAM

12GB

24GB

24GB

32GB

High-speed dual-SIM 5G module

-

●

●

●

High-speed SIM 5G module

●

-

-

-

Steering Wheel Safe Driving Touch-Bar Display

●

●

●

●

HD projection heads up display (HUD)

●

●

●

●

15.7-inch Center Information Display (CID) (3K resolution)

●

●

●

●

15.7-inch Copilot Entertainment Display (3K resolution)

●

●

●

●

15.7-inch Rear Entertainment Display (3K resolution)

-

-

-

●

A-SPICE anti-shatter glass

●

●

●

●

Anti-glare screen technology

●

●

●

●

Dual array microphone

-

4 groups

4 groups

4 groups

Li L7 | Configuration

● Standard - N/A	2023 Li L7 Air	2024 Li L7 Pro	2024 Li L7 Max	2024 Li L7 Ultra
Digital MEMS Microphone	4	-	-	-
Cockpit Sensor	IR Visual module x2	RGB&IR Visual module x1	RGB&IR Visual module x1	RGB&IR Visual module x2
Speaker/Power	19 Speakers/1920 W	19 Speakers/1920 W	19 Speakers/1920 W	21 Speakers/1920 W
AI Li Xiang Tong Xue				
Large model Mind GPT-based Li Xiang Tong Xue*	●	●	●	●
Multimodal wireless conversation zone positioning	-	●	●	●
Multimodal voice control for any displayed voice assistant command options	Voice and visual fusion search	Voice and visual fusion search	Voice and visual fusion search	Voice and visual fusion search
Multimodal anaphora interaction (voice/gesture)	●	●	●	●
Voiceprint recognition and following	-	●	●	●
Continuous execution of multi-task command	●	●	●	●
Free Interaction with Dialects	●	●	●	●
Offline voice support	●	●	●	●
Whole-vehicle Wakeup-free	●	●	●	●
HMI System				
Card UI desktop	●	●	●	●
Children Mode	●	●	●	●
Multi-screen simultaneous casting	●	●	●	●
TaskFlex	●	●	●	●

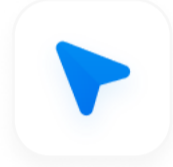

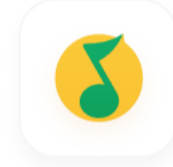



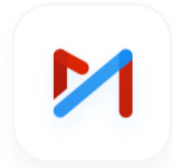
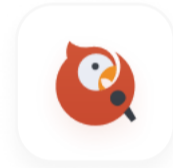


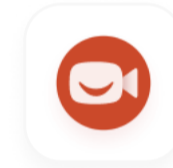
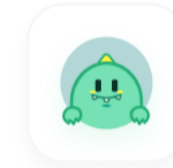




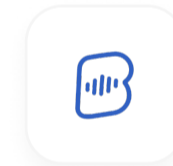
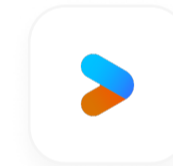
Li L7 | Configuration

● Standard - N/A

2023 Li L7 Air 2024 Li L7 Pro 2024 Li L7 Max 2024 Li L7 Ultra

Tuning Master	●	●	●	●
Painting Master	●	●	●	●
Magic camera	-	●	●	●
Browser	●	●	●	●
Vehicle hotspot*	●	●	●	●

App Store

 Map	 iQIYI	 QQ Music	 Netease Cloud Music	 bilibili	 Himalaya
 Migu Video	 WeSing	 Leishi KTV	 Tencent Video	 Huanxi Premium	 Idiom chain
 Uncle Kai stories	 CITIC Academy	 Dedao	 Meituan	 LIZHI Podcast	 Youku Video

Ongoing OTA upgrades

Functions marked with * will be released via OTA in the future

Flagship Video

Dolby Atmos	●	●	●	●
Dolby Vision	-	●	●	●
7.3.4 speaker layout	●	●	●	●
Speaker/Power	19 Speakers/1920 W	19 Speakers/1920 W	19 Speakers/1920 W	21 Speakers/1920 W
Tweeter design	Aluminum tweeters	Dome aluminum cone	Dual edge aluminum cone	Dual edge aluminum cone

Li L7 | Configuration

● Standard - N/A	2023 Li L7 Air	2024 Li L7 Pro	2024 Li L7 Max	2024 Li L7 Ultra
Mid-range speaker design	Kevlar mid-range speakers	Tradition taper cone	CosCone	CosCone
Subwoofer Design	Carbon fiber subwoofers	Tradition taper cone	CosCone	CosCone
Screen type (CID/Copilot Entertainment Display)	LCD	LCD	LCD	LCD
Screen type (Rear Entertainment Display)	-	-	-	LCD
TÜV low blue light certificated	●	●	●	●
Rear Entertainment Display with Electric Opening, Closing and Angle Adjustment	-	-	-	●
Multi-touch screen	●	●	●	●
Anti-glare screen	●	●	●	●
Anti-glare screen technology	●	●	●	●
Wired screen casting	Front (1080P)	Front (3K resolution)	Front(3K resolution)	Front & rear(3K resolution)
Wireless screen casting*	●	●	●	●

Functions marked with * will be released via OTA in the future

Exterior Configuration

Exterior Lights and Gears

Run-through Halo LED headlights	●	●	●	●
3-dimensional Halo LED taillights	●	●	●	●
Adaptive LED headlights	●	●	●	●
LED Low-speed steering assist lights	●	●	●	●
LED smart driving assist lights	-	-	●	●

Li L7 | Configuration

● Standard - N/A	2023 Li L7 Air	2024 Li L7 Pro	2024 Li L7 Max	2024 Li L7 Ultra
LED side marker lights	●	●	●	●
LED greeting lights	●	●	●	●
LED courtesy lights	●	●	●	●
Adaptive headlight height adjustment	-	●	●	●
Automatic high beam	●	●	●	●
Rain-sensing front wipers	●	●	●	●
Concealed rear window wiper	●	●	●	●
Mounting holes for roof rack	●	●	●	●
Active air-intake grille	●	●	●	●
Power Footboards	+RMB 10,000	+RMB 10,000	+RMB 10,000	+RMB 10,000
Charging and Power Supply				
Electric charging port flap (Electric induction)	Electric induction	Electric induction	Electric induction	Electric induction
Home charging station	7kW	7kW	7kW	7kW
Li Auto Home Charging scheduled charging	●	●	●	●
Li Supercharging plug-and-charge	●	●	●	●
External discharge	3.5kW	3.5kW	3.5kW	3.5kW
External discharge adapter	●	●	●	●
Security Configuration				
High-strength steel-aluminum body	●	●	●	●
Double-impact protected battery pack	●	●	●	●

Li L7 | Configuration

● Standard - N/A	2023 Li L7 Air	2024 Li L7 Pro	2024 Li L7 Max	2024 Li L7 Ultra
Front-row front airbag	x2	x2	x2	x2
Front-row side airbag	x2	x2	x2	x2
Second-row side airbag	x2	x2	x2	x2
Curtain airbags for all windows	x2	x2	x2	x2
Dual-chamber far-side airbags	-	●	●	●
Pretensioning seatbelt	●	●	●	●
ISOFIX interface for child safety seat at the second row	x2	x2	x2	x2
Electronic child safety locks for rear doors	●	●	●	●
Driving recorder	●	●	●	●
Hill descent control (HDC)	●	●	●	●
Electronic stability program (ESP)	●	●	●	●
Tire-pressure monitoring system (TPMS)	●	●	●	●
Electronic parking brake (EPB)	●	●	●	●
AUTO HOLD parking control	●	●	●	●
Pedestrian warning noise	●	●	●	●
Electronic anti-theft function for power system	●	●	●	●
Trailer mode	●	●	●	●
Anti-theft alarm system (remote alert via App)	●	●	●	●
Sentry mode	●	●	●	●

Warranty and Services

Li L7 | Configuration

● Standard - N/A	2023 Li L7 Air	2024 Li L7 Pro	2024 Li L7 Max	2024 Li L7 Ultra
Vehicle warranty	For 5 years or 100,000 km	For 5 years or 100,000 km	For 5 years or 100,000 km	For 5 years or 100,000 km
Limited warranty for battery, motor, and electric control system	For 8 years or 160,000 km	For 8 years or 160,000 km	For 8 years or 160,000 km	For 8 years or 160,000 km
Air suspension warranty	(Air springs not equipped)	For 8 years or 160,000 km	For 8 years or 160,000 km	For 8 years or 160,000 km
Mobile data	Three-year data worry-free solution (20 GB of free 5G data per month)	Three-year data worry-free solution (20 GB of free 5G data per month)	Three-year data worry-free solution (20 GB of free 5G data per month)	Three-year data worry-free solution (20 GB of free 5G data per month)
24/7 roadside assistance service	In-Warranty Period	In-Warranty Period	In-Warranty Period	In-Warranty Period
Free home charging station and basic installation service	●	●	●	●
Smart maintenance reminder	●	●	●	●
Smart emergency call and rescue	●	●	●	●
24/7 online service agents	●	●	●	●

Tips:

The range and charging time are affected by driving habits, natural environment, battery life and other objective factors. The parameter configuration information is for reference only. For the purpose of design and use safety, Li Auto has the right to adjust the parameters and configuration within the scope of laws and regulations. The specific parameters and configuration are subject to the actual vehicle for sale.

The driving assistance system is an assisting function and cannot cope with all traffic, weather and road conditions. The driver should take active control of the vehicle at all times. Take caution when using this function in complex traffic conditions, on wet, slippery, water-logged or muddy roads, in poor visibility, on rugged mountain terrain or at highway entrances and exits.

The English version is for reference only. In case of any discrepancy, the Chinese version shall prevail.